



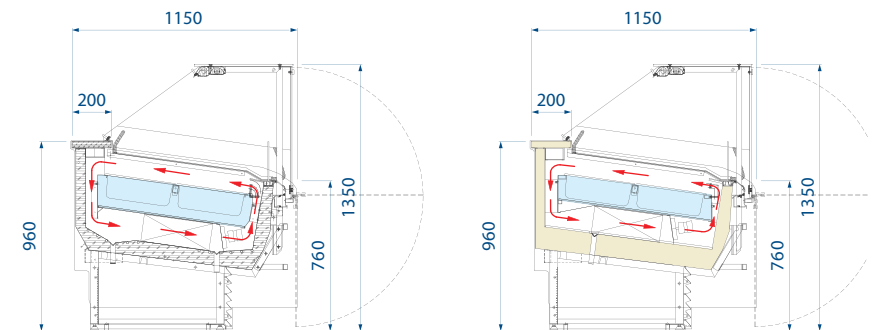
MITO SQUARE



Technical Features

		12	16	18	20	24
External dimensions (lxbxh)	mm	1010 x 1130 x 1350	1340 x 1130 x 1350	1500 x 1130 x 1350	1670 x 1130 x 1350	2100 x 1130 x 1350
Refrigeration		Ventilata Ventilata	Ventilata Ventilata	Ventilata Ventilata	Ventilata Ventilata	Ventilata Ventilata
Capacity (gross - net)	lt	703 / 120	932 / 160	1047 / 180	1162 / 200	1392 / 240
Cabinet capacity range	°C	-20 / +2	-20 / +2	-20 / +2	-20 / +2	-20 / +2
Product temperature	°C	-16 / -14	-16 / -14	-16 / -14	-16 / -14	-16 / -14
Defrost		Inversione Ciclo Reverse Cycle	Inversione Ciclo Reverse Cycle	Inversione Ciclo Reverse Cycle	Inversione Ciclo Reverse Cycle	Inversione Ciclo Reverse Cycle
Climatic class	N°	4+	4+	4+	4+	4+
Operating conditions	°C / %RH	35 / 70	35 / 70	35 / 70	35 / 70	35 / 70
Compressor (type - n°)		Ermetico Hermetic (1)	Ermetico Hermetic (2)	Ermetico Hermetic (2)	Ermetico Hermetic (2)	Ermetico Hermetic (2)
Power supply	V / ph / Hz	230 / 1 / 50	230 / 1 / 50	230 / 1 / 50	230 / 1 / 50	230 / 1 / 50
Electrical input (standard)	W / A	1350 / 6.7	1750 / 7.8	1800 / 8	2600 / 10.2	2650 / 10.4
Electrical input (defrost)	W / A	2800 / 11	2980 / 11.7	3100 / 12.2	3500 / 13.7	3600 / 14.1
Net weight	kg	235	310	335	355	445

High Straight Glasses (only linear modules)



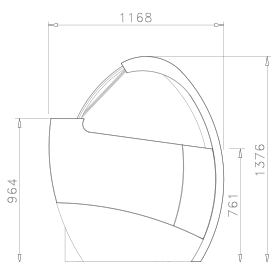
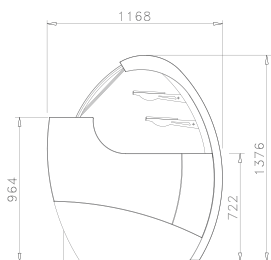
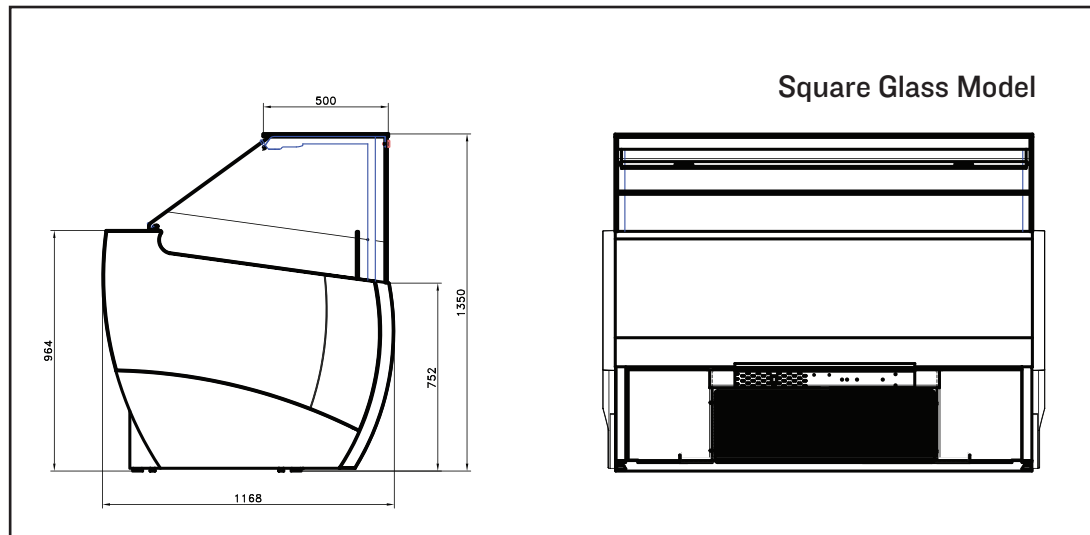
Ice-cream cabinet at ventilated refrigeration with finned evaporator and reverse defrosting cycle. One piece body with ecological polyurethane insulation (HCFC and HFC free), foamed with CO2 50 mm thick. Display base, service top and rear panel in bright stainless steel, external base in painted sheet. Upper structure with supports in silver-colored anodized aluminium. Tempered glass structure with aluminium profiles. Lift-up front opening with gas pistons. Canopy profile in silver-colored anodized aluminium, neon lighting. Operator side closure with self-rolling curtain. Main structure and basement in carbon steel painted with epoxy powder, adjustable feet. Control board on the operator side, electronic board and digital thermometer inside the tank, temperature control set at .
-20/+2 °C

Operator side closure with sliding lids mod. VAC (High Curved Glasses).
Operator side closure with self-rolling curtain mod. VAD (High Straight Glasses).



MITO

Available in Curved Glass and Square Glass



01	02	03	04	05	
FIANCO LATERALE SIDE P. ANEL CARBON LOOK RAL 3002 ROSSO RAL 9003 BIANCO RAL 9003 BIANCO SEGNALE	PANNELLO FRONTALE FRONT P. ANEL RAL 9003 BIANCO SEGNALE	FIANCO LATERALE SIDE P. ANEL RAL 9017 NERO RAL 9003 BIANCO RAL 9003 BIANCO SEGNALE	PANNELLO FRONTALE FRONT P. ANEL RAL 9003 BIANCO SEGNALE	FIANCO LATERALE SIDE P. ANEL RAL 4004 VIOLA BORDEAUX RAL 1013 BIANCO PERLA	PANNELLO FRONTALE FRONT P. ANEL RAL 1013 BIANCO PERLA
FIANCO LATERALE SIDE P. ANEL RAL 1013 BIANCO PERLA RAL 9010 BIANCO PURO	PANNELLO FRONTALE FRONT P. ANEL RAL 9010 BIANCO PURO	FIANCO LATERALE SIDE P. ANEL RAL 1013 BIANCO PERLA RAL 9010 BIANCO PURO	PANNELLO FRONTALE FRONT P. ANEL RAL 9010 BIANCO PURO	FIANCO LATERALE SIDE P. ANEL RAL 1013 BIANCO PERLA RAL 9010 BIANCO PURO	PANNELLO FRONTALE FRONT P. ANEL RAL 9010 BIANCO PURO
06	07	08	09	10	
FIANCO LATERALE SIDE P. ANEL RAL 1018 GIALLO RAL 9003 BIANCO SEGNALE	PANNELLO FRONTALE FRONT P. ANEL RAL 9003 BIANCO SEGNALE	FIANCO LATERALE SIDE P. ANEL RAL 2003 ARANCIO PASTELLO RAL 9003 BIANCO SEGNALE	PANNELLO FRONTALE FRONT P. ANEL RAL 9003 BIANCO SEGNALE	FIANCO LATERALE SIDE P. ANEL RAL 8016 MARRONE MOGANO RAL 1013 BIANCO PERLA	PANNELLO FRONTALE FRONT P. ANEL RAL 1013 BIANCO PERLA
FIANCO LATERALE SIDE P. ANEL RAL 4006 PORPORA TRAFFICO RAL 1013 BIANCO PERLA	PANNELLO FRONTALE FRONT P. ANEL RAL 1013 BIANCO PERLA	FIANCO LATERALE SIDE P. ANEL RAL 5005 BLU SEGNALE RAL 9010 BIANCO PURO	PANNELLO FRONTALE FRONT P. ANEL RAL 9010 BIANCO PURO	FIANCO LATERALE SIDE P. ANEL RAL 5005 BLU SEGNALE RAL 9010 BIANCO PURO	PANNELLO FRONTALE FRONT P. ANEL RAL 9010 BIANCO PURO